

10/100BASE-TX to 100BASE-FX

Fast Ethernet

Media Converter

Quick Installation Guide

FCC Class B Certification

This equipment has been tested and found to comply with the regulations for a Class B digital device, pursuant to Part 15 of the FCC Rules. These limits are designed to provide reasonable protection against harmful interference when the equipment is operated in a commercial environment. This equipment generates, uses, and can radiate radio frequency energy and, if not installed and used in accordance with this user's guide, may cause harmful interference to radio communications. Operation of this equipment in a residential area is likely to cause harmful interference, in which case the user will be required to correct the interference at his own expense.

CE Mark Warning

This is a Class B product. In a domestic environment, this product may cause radio interference, in which case the user may be required to take adequate measures.

VCCI Class B Compliance (Japan)

This is a product of VCCI Class B Compliance

この装置は、情報処理装置等電波障害自主規制協議会（VCCI）の基準に基づくクラス B 情報技術装置です。この装置は、家庭環境で使用することを目的としていますが、この装置がラジオやテレビジョン受信機に近接して使用されると、受信障害を引き起こすことがあります。

取扱説明書に従って正しい取り扱いをして下さい。



Introduction

Thank you for choosing the 10/100BASE Fast Ethernet Media Converter, The Converter introduced here provides one channel media conversion between 10/100BASE-TX and 100BASE-FX.

About Media Converter

The Media Converter is a network technology specified by IEEE 802.3 10BASE-T, IEEE802.3u 100BASE-TX, 100BASE-FX standards.

Product Features

- ✓ One-channel media conversion between 10/100BASE-TX and 100BASE-FX
- ✓ Fiber media allows: multi-mode fiber using SC, LC or MT-RJ connector; single-mode fiber using SC connector
- ✓ Auto negotiation of speed and duplex mode on TX port
- ✓ Auto MDI-X on TX port
- ✓ One slide switch for configuring fixed half/full duplex modes
- ✓ Store-and-forward mechanism
- ✓ Back-pressure & IEEE802.3x compliant flow control
- ✓ Full wire-speed forwarding rate
- ✓ Front panel status LEDs
- ✓ Used as a stand-alone device or with a chassis
- ✓ Hot-swappable when used with a chassis

Installation

This chapter gives step-by-step installation instructions for the Converter.

Selecting a Site for the Equipment

As with any electric device, you should place the equipment where it will not be subjected to extreme temperatures, humidity, or electromagnetic interference. Specifically, the site you select should meet the following requirements:

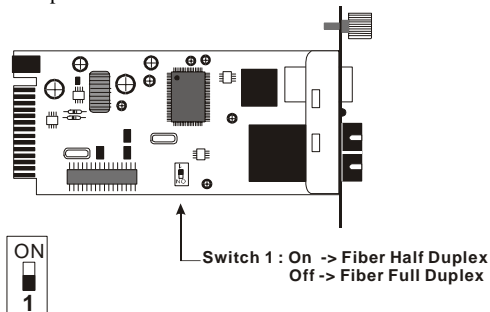
1. The ambient temperature should be between 32 and 104 degrees Fahrenheit (0 to 40 degrees Celsius).
2. The relative humidity should be less than 90 percent, non-condensing.
3. Surrounding electrical devices should not exceed the electromagnetic field (RFC) standards for IEC 801-3, Level 2 (3V/M) field strength.
4. Make sure that the equipment receives adequate ventilation. Do not block the ventilation holes on each side of the switch or the fan exhaust port on the side or rear of the equipment.
5. The power outlet should be within 1.8 meters of the switch.

Connecting to Power

1. This Converter is a plug-and-play device.
2. Connect the supplied AC to DC power adaptor with a power voltage of 7.5Vdc/1.5Amp to the receptacle on the rear panel of the converter, and then attach the plug into a standard AC outlet with a voltage range from 100 to 260 Vac.

Sliding Switch

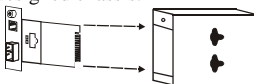
There is a sliding switch for duplex mode setting for fiber port. Refer to the table below for more details.



On	Half Duplex	Off	Full Duplex (default)
----	-------------	-----	--------------------------

Installing in a Chassis

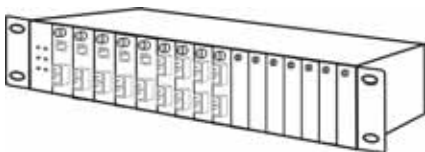
The Converter can be fit into any of the expansion slots on a special designed chassis.



Unscrew and pull out the media converter board

- First, install the converter onto a carrier supplied with the chassis:

- Step 1- Unscrew the carrier from the desired expansion slot on the chassis.
- Step 2- Remove the screw on the converter as shown below.
- Step 3- Fit the converter onto the carrier and use the screw to secure it.



LED Indicator

The LED indicators give you instant feedback on status of the converter:



LEDs	State	Indication
Power (PWR)	Steady	Power on
	Off	Power off
100 Mbps (100)	Steady	Runs at 100Mbps on TX port
	Off	Runs at 10Mbps on TX port
TX Port (TX) FX Port (FX) FDX/COL	Steady (FDX)	Connection in full duplex mode FDX stands for FULL-DUPLEX
	Lights off	Connection in half duplex mode
	Blinking (COL)	Data collision
TX Port (TX) FX Port (FX) LINK/ACT	Steady (LINK)	A valid network connection established
	Lights off	Not Linking
	Blinking (ACT)	Transmitting or receiving data ACT stands for Activity

Specifications

Applicable Standards	IEEE 802.3 10BASE-T IEEE802.3u 100BASE-TX & 100BASE-FX
Fixed Ports	1 TX port, 1 FX port
Speed	10/20Mbps for half/full-duplex 100/200Mbps for half/full-duplex
Forwarding rate	148,800pps
LED Indicators	Per Unit- (2 LEDs): Power; Speed(100) Per Port- (2 LEDs): FDX/COL, LINK/ACT
Cable	10BASE-T – 2-pair UTP Cat. 3,4,5, up to 100 m (328 ft) 100BASE-TX -- 2-pair UTP Cat. 5, up to 100 m (328 ft) 100BASE-FX -- 62.5/125µm multi-mode fiber optic cable, up to 2 km 10/125µm single-mode fiber optic cable, up to 75 km
Dimensions	L120 × W88 × H25 mm
Weight	305 g
Power	External power adaptor 7.5V 1.5A
Power Consumption	7.2W Max.
Operating Temperature	0°C ~ 40°C (32°F ~ 104°F)
Storage Temperature	-25°C ~ 70°C (-13°F ~ 158°F)
Humidity	10 ~ 90%, non-condensing
Emissions	FCC part 15 Class B, CISPR ClassB, VCCI Class B, CE Mark

Ordering Information

Please include the following information when ordering:

Fiber type: multi-mode or single-mode

Fiber connector type: SC, LC or MT-RJ

Segment distance range for the fiber port

TX port		
Connector Type	Cabling	Segment Distance
RJ-45	Copper Wire	Max. 100 m
FX port		
Connector Type	Cabling	Segment Distance
SC	Multi-Mode Fiber	Max. 2 km
MT-RJ	Multi-Mode Fiber	Max. 2 km
LC	Multi-Mode Fiber	Max. 2 km
SC	Single-Mode Fiber	Max. 15 km
SC	Single-Mode Fiber	Max. 40 km
SC	Single-Mode Fiber	Max. 60 km

P/N:1907M110SC25002

Rev:B1-02