

RP-IMC601 series

10/100Base-TX to 100Base-FX Industrial Media Converter

This true mini, rugged Industrial media converter is designed for where critical but space-limited outdoor CAM enclosure. It can be powered by wide

range of VAC, VDC or external DC power adapter, it supports

18V-30VAC/12V-48VDC/ or DC Jack

socket. With its multi-purpose design, it can also be used for Din-Rail or

wall-mounted. It is an ideal unit for IP surveillance, traffic monitoring and Security application in critical environment. It can tolerate -40°C to 70°C in harsh environment to perform a reliable network.



RP-IMC601SC | RP-IMC601FP

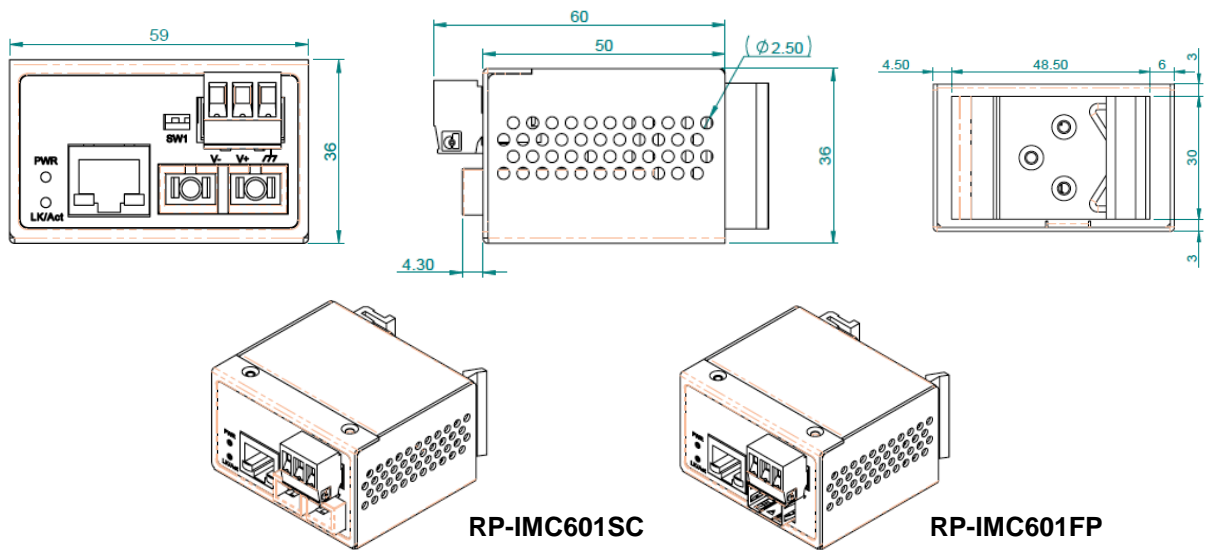
Feature

- Supports 18V-36VAC/12V-60VDC/ or DC Jack socket
- Supports Link Fault Pass through (LFP) function
- Supports switch model and converter mode.
- Surge protection diodes on power input.
- ESD protection diodes on RJ-45 port
- Provides Far End Fault function on FX port.
- Provides increased Noise Immunity
- Extended environmental specification -40°C to 75°C
- True Mini, rugged design enclosure 58x36x49mm (LxWxD)

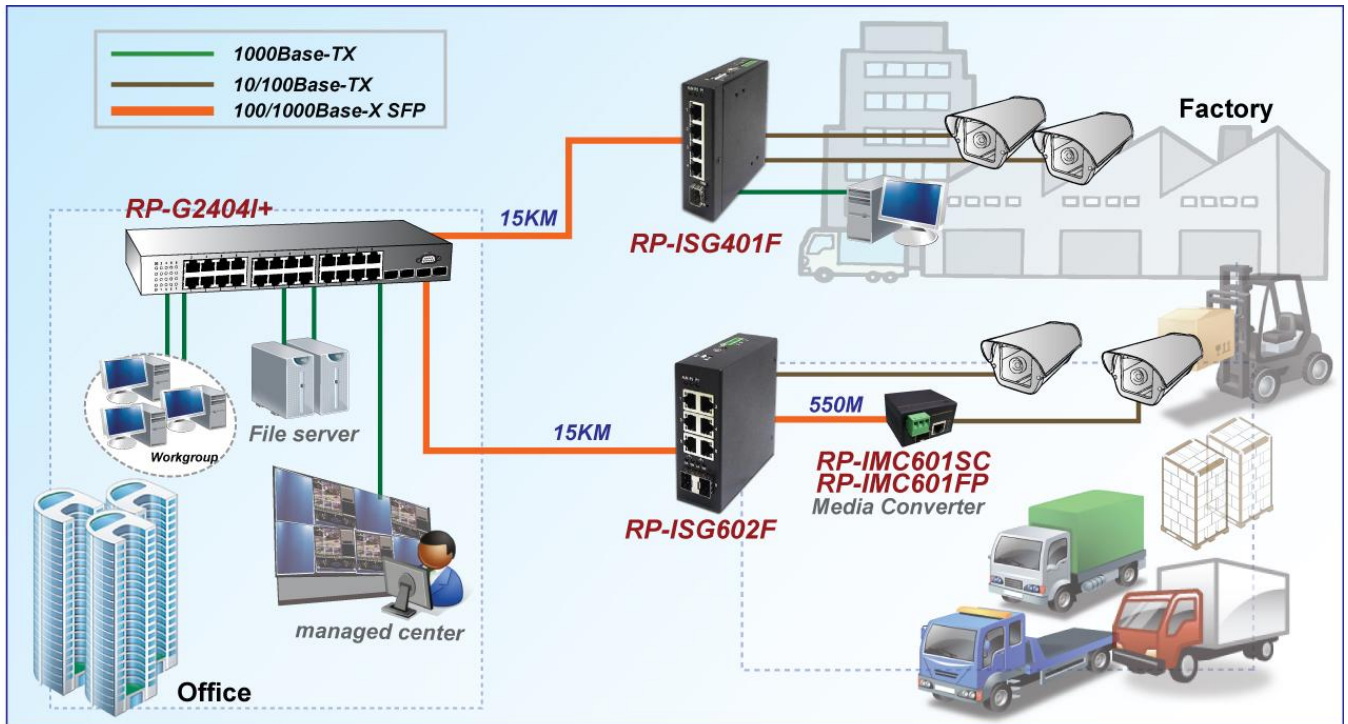
Specification

| | |
|------------------------------------|---|
| Standards | <ul style="list-style-type: none"> • IEEE 802.3 10Base-T Ethernet • IEEE 802.3u 100Base-TX Fast Ethernet • IEEE 802.3u 100Base-FX Fast Ethernet • IEEE802.3x Flow Control and Back Pressure |
| Data Processing | <ul style="list-style-type: none"> • Store and Forward |
| Flow Control | <ul style="list-style-type: none"> • IEEE 802.3x Flow Control and Back Pressure |
| Architecture | <ul style="list-style-type: none"> • Full wire speed conversion, • Transparent conversion to 802.1Q VLAN tagged packets. |
| MAC Table Size | <ul style="list-style-type: none"> • 1K |
| Packet Buffer Size | <ul style="list-style-type: none"> • 1Mbits |
| Interface | <ul style="list-style-type: none"> • 1 RJ-45 port: 10/100M Base-T(X) Auto negotiation, Auto MDI/MDI-X function, Full/Half duplex • 1 Fiber port: 100BaseFX MM/SC up to 2km, MM/ST up to 2km, SM/SC up to 30km or 100BaseX SFP |
| LED indicators | <ul style="list-style-type: none"> • Power, Speed, Link/Act • Speed (TP port) • Link/Act (TP and Fiber port) |
| DIP Switch | <ul style="list-style-type: none"> • Link Fault Pass Through (LFP) • Converter Mode, Switch Mode |
| Power protection | <ul style="list-style-type: none"> • Surge protection diodes on power input |
| Connector protection | <ul style="list-style-type: none"> • ESD protection diodes on TX port |
| Reserve polarity protection | <ul style="list-style-type: none"> • Present |
| Overload current protection | <ul style="list-style-type: none"> • Present |
| Power Input | <ul style="list-style-type: none"> • 18V-30VAC, • 12V-60VDC, • DC Jack terminal cable supported (DC Barrel Connector) |
| Power Consumption | <ul style="list-style-type: none"> • Full Load: 1.92Watts at 48VDC |
| Conformance to UL Standards | <ul style="list-style-type: none"> • Use Isolated power supply to conform with UL 508 standard |
| Removable Terminal Block | <ul style="list-style-type: none"> • 3 pin contact terminal block for power input |
| Operating Temperature | <ul style="list-style-type: none"> • -40°C~75°C |
| Operating Humidity | <ul style="list-style-type: none"> • 5% to 95% (Non-condensing) |
| Storage Temperature | <ul style="list-style-type: none"> • -40°C~85°C |
| Housing | <ul style="list-style-type: none"> • IP40 Design, high graded Aluminum |
| Dimension | <ul style="list-style-type: none"> • 58x36x49mm (LxWxD) |
| Installation mounting | <ul style="list-style-type: none"> • DIN Rail mounted, • Panel Mounted, |
| EMC/EMS | <ul style="list-style-type: none"> • CE, FCC, ROHS,VCCI |
| Safety | <ul style="list-style-type: none"> • EN60950-1 |

Diagram



Application



Ordering information

- | | |
|---------------------|--|
| RP-IMC601SC | 10/100Base-TX to 100Base-FX Industrial Media Converter, Multi-mode, 2km/1310nm, SC connector |
| RP-IMC601C30 | 10/100Base-TX to 100Base-X SFP Industrial Media Converter Single-mode, 30km/1310nm, SC connector |
| RP-IMC601ST | 10/100Base-TX to 100Base-FX Industrial Media Converter, Multi-mode, 2km/1310nm, ST connector |
| RP-IMC601FP | 10/100Base-TX to 100Base-X SFP Industrial Media Converter |

REPOTEC CO., LTD.

3F., No.258, Liancheng Rd., Zhonghe District., New Taipei City 235, Taiwan

TEL: 886-2-8227-1888 FAX: 886-2-8227-1818